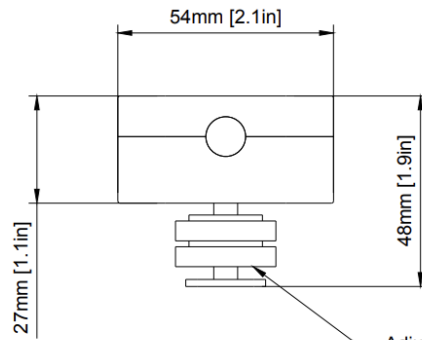
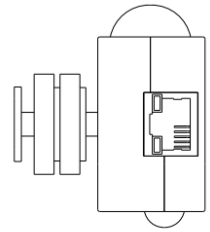
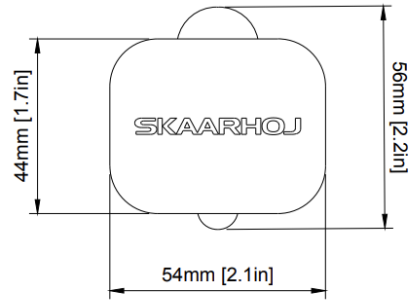
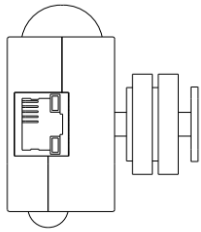


# Tally Light



Adjustable height with quarter inch mount

Revision #1

Created 26 April 2023 09:28:41 by Heather Pedersen

Updated 9 June 2026 12:06:02 by Heather Pedersen