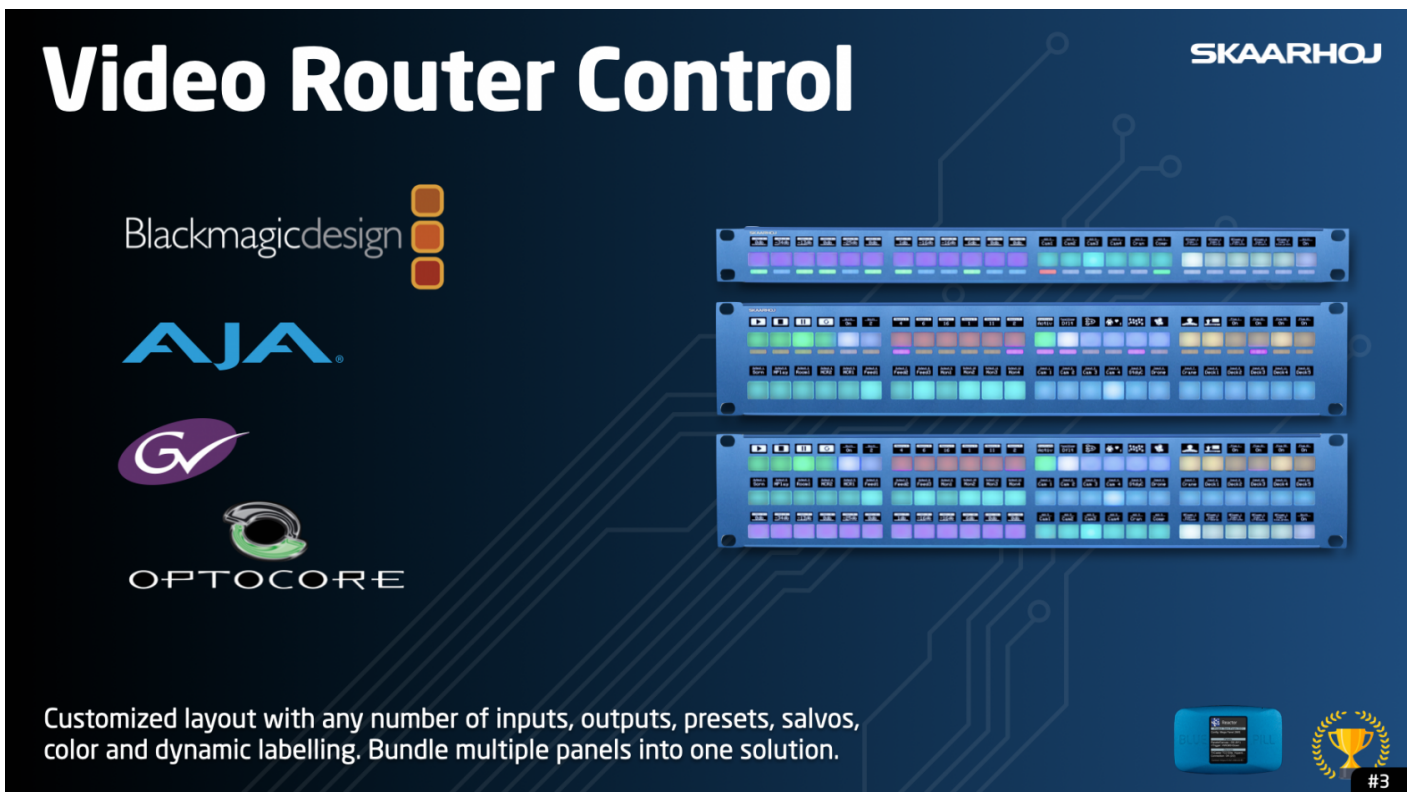


# Routers & Power

- [Video Router Control](#)
- [NETIO Power Sockets](#)

# Video Router Control



**Video Router Control**

Blackmagicdesign

AJA

GV

OPTOCORE

SKAARHOJ

Customized layout with any number of inputs, outputs, presets, salvos, color and dynamic labelling. Bundle multiple panels into one solution.

#3

## Resources

- [BlackMagicDesign, AJA KUMO series, Optocore video routers, Sienna NDI routers, Grass Valley](#) - Accessories and settings to connect
- [Rack Fly Uno, Rack Fly Duo, Rack Fly Trio](#) - Product details and price
- [Product Information Document Rack Fly Uno](#) - Product descriptions, product images, data sheet, FAQ and videos
- [Product Information Document Rack Fly Duo](#) - Product descriptions, product images, data sheet, FAQ and videos
- [Product Information Document Rack Fly Trio](#) - Product descriptions, product images, data sheet, FAQ and videos
- [BlackMagicDesign Device Core Parameters](#) - All the parameters we support
- [Blue Pill / Reactor](#) - Getting started
- [Video demo](#)

We are constantly developing on our integrations and this page will continuously be updated



## Trophy #3

# Video Router Control

SKAARHOJ

### Benefits

- ★ Universal router panels, different protocols supported
- ★ Many options for form factor and size of panel
- ★ On-panel dynamic labels in OLED displays
- ★ Super easy configuration of inputs, outputs, and presets
- ★ SKAARHOJ preset technology provides “salvos” to any router panel
- ★ Use labels from routers, alternatively set custom labels and colors via a web browser
- ★ RGB Backlight on buttons helps visual grouping

### What to expect

Rack Fly Uno/Duo/Trio is a series of rack controllers which are perfect for routing tasks. The OLED displays show you the source and destination names clearly unlike many other panels. The labels can be customized or extracted from the routers.

The SKAARHOJ implementation has a preset feature that lets you store and recall routing configurations on any router.

### Model Support

- Blackmagic Design Videohub series - all models
- AJA Kumo series - all models
- Optocore video routers
- Sienna Gallery NDI routers (via videohub protocol)
- SW-P-08 ProBel Grass Valley Router protocol

### Configurations and Alternatives

Configurations for the above models and the mentioned SKAARHOJ panels are available embedded on the Blue Pill.

### Technical notes

The Rack Fly Uno/Duo/Trio must be connected with a Blue Pill with Reactor running. Reactor is the main application that hosts the connection to both panels and router devices.

### Learn More



Demonstration  
video

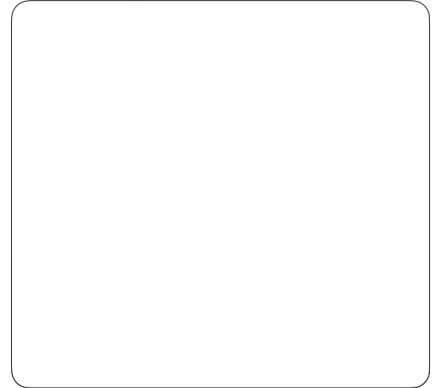
Manuals, Cabling  
Guides, Parameter  
Support, Press Kit

### Blue Pill and Reactor

Blue Pill is a SKAARHOJ platform that boosts the capacity and capability of SKAARHOJ UniSketch controllers. Reactor is our flagship panel management application running on Blue Pill or Blue Pill Inside powered controllers.



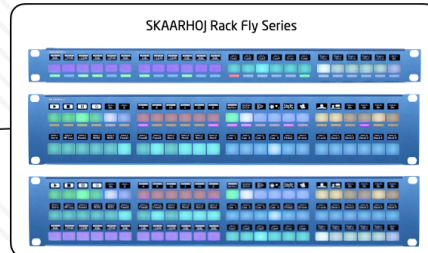
### Reseller / Notes



PoE+ Switch



Blue Pill



# NETIO Power Sockets



**NETIO Power Sockets**

SKAARHOJ

Control and monitor your NETIO power sockets from your SKAARHOJ controllers.

#132

## Resources

- [NETIO Power Sockets](#) - Accessories and settings to connect
- [Rack Fly Uno](#) - Product details and price
- [NETIO Powersocket Device Core Parameters](#) - All the parameters we support
- [Product Information Document Rack Fly Uno](#) - Product descriptions, product images, data sheet, FAQ and videos
- [Blue Pill / Reactor](#) - Getting started
- [Video demo](#)

We are constantly developing on our integrations and this page will continuously be updated



Trophy #132

# NETIO Power Sockets

SKAARHOJ

## Benefits

- ★ Integrate control of NETIO products in SKAARHOJ panels
- ★ Turn power sockets on and off
- ★ Monitor power socket status
- ★ Read out power consumption in real time on displays

## What to expect

The most fundamental function is to toggle a power socket output on and off. You can do that with a button press typically, but any hardware component on a SKAARHOJ panel can be assigned the functionality too, such as an encoder.

The displays on SKAARHOJ panels are useful to monitor the output consumption of the power sockets on models where this information is available.

Control of NETIO products are assumed to be added to existing configurations, so most often you will want to add a toggle button for a socket to a controller in a particular menu. A few default configurations exists as well for more generic use.

## Model Support

- PowerCable EC
- PowerPDU 4C
- PowerPDU 80S
- PowerBox 3Px

## Technical Note

The NETIO device core shall run on a Blue Pill with Reactor as the driving platform. Via Reactor, functions to manipulate the power sockets or monitor the state of the power distribution units can be mapped onto the controllers along with other types of control, typically for broadcast equipment.

## SKAARHOJ controllers supported

Any SKAARHOJ controller will work, but will typically require a slight amount of custom configuration to integrate the power socket control in the context of a different main configuration.

A default configuration exists for Rack Fly Uno (as seen on the demo video)

## Learn More



Demonstration video

Manuals, Cabling Guides, Parameter Support, Press Kit

## Blue Pill and Reactor

Blue Pill is a SKAARHOJ platform that boosts the capacity and capability of SKAARHOJ UniSketch controllers. Reactor is our flagship panel management application running on Blue Pill or Blue Pill inside powered controllers.



## Reseller / Notes

