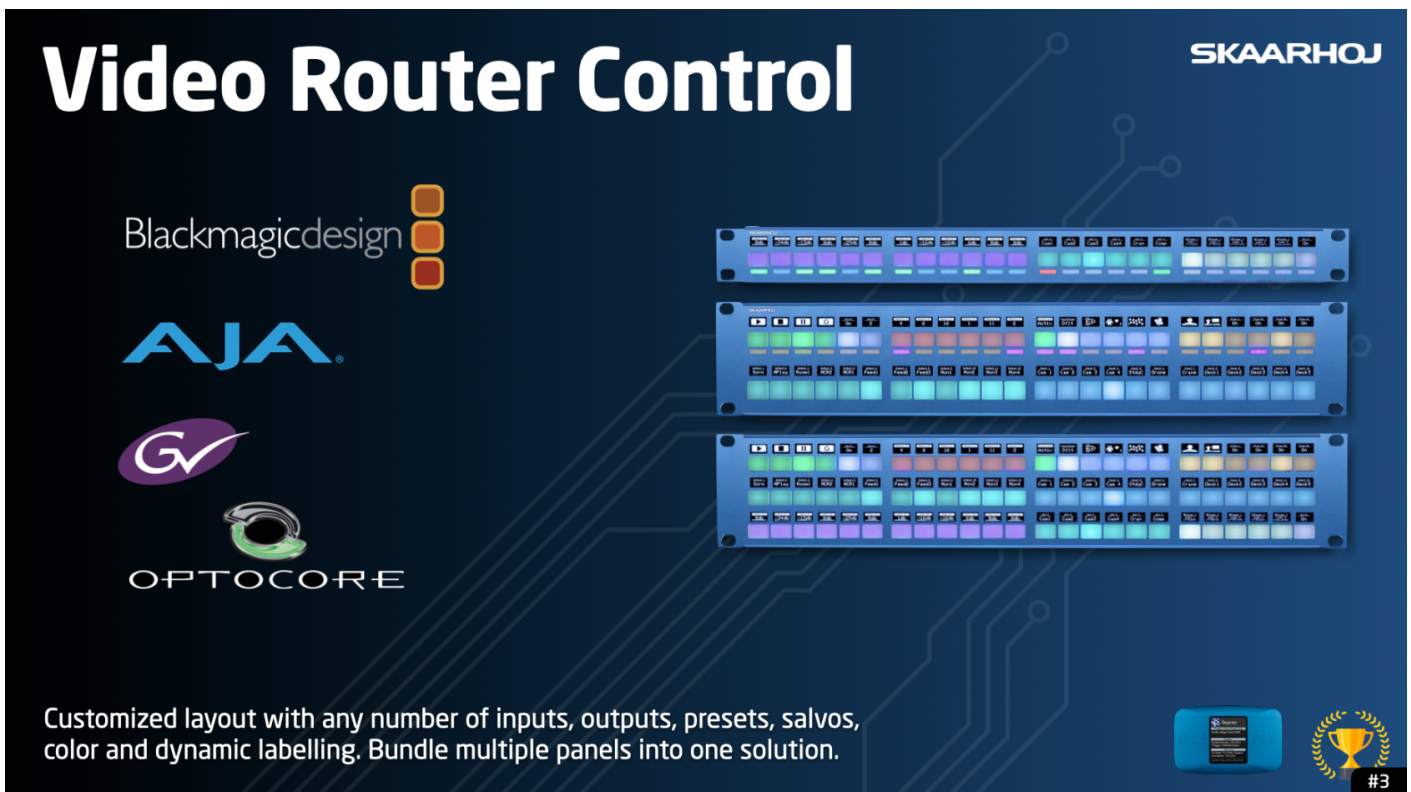


Video Router Control



Video Router Control

Blackmagicdesign

AJA

OPTOCORE

SKAARHOJ

Customized layout with any number of inputs, outputs, presets, salvos, color and dynamic labelling. Bundle multiple panels into one solution.

#3

Resources

- [BlackMagicDesign, AJA KUMO series, Optocore video routers, Sienna NDI routers, Grass Valley](#) - Accessories and settings to connect
- [Rack Fly Uno, Rack Fly Duo, Rack Fly Trio](#) - Product details and price
- [Product Information Document Rack Fly Uno](#) - Product descriptions, product images, data sheet, FAQ and videos
- [Product Information Document Rack Fly Duo](#) - Product descriptions, product images, data sheet, FAQ and videos
- [Product Information Document Rack Fly Trio](#) - Product descriptions, product images, data sheet, FAQ and videos
- [BlackMagicDesign Device Core Parameters](#) - All the parameters we support
- [Blue Pill / Reactor](#) - Getting started
- [Video demo](#)

We are constantly developing on our integrations and this page will continuously be updated



Trophy #3

Video Router Control

SKAARHOJ

Benefits

- ★ Universal router panels, different protocols supported
- ★ Many options for form factor and size of panel
- ★ On-panel dynamic labels in OLED displays
- ★ Super easy configuration of inputs, outputs, and presets
- ★ SKAARHOJ preset technology provides "salvos" to any router panel
- ★ Use labels from routers, alternatively set custom labels and colors via a web browser
- ★ RGB Backlight on buttons helps visual grouping

What to expect

Rack Fly Uno/Duo/Trio is a series of rack controllers which are perfect for routing tasks. The OLED displays show you the source and destination names clearly unlike many other panels. The labels can be customized or extracted from the routers.

The SKAARHOJ implementation has a preset feature that lets you store and recall routing configurations on any router.

Model Support

- Blackmagic Design Videohub series - all models
- AJA Kumo series - all models
- Optocore video routers
- Sienna Gallery NDI routers (via videohub protocol)
- SW-P-08 ProBel Grass Valley Router protocol

Configurations and Alternatives

Configurations for the above models and the mentioned SKAARHOJ panels are available embedded on the Blue Pill.

Technical notes

The Rack Fly Uno/Duo/Trio must be connected with a Blue Pill with Reactor running. Reactor is the main application that hosts the connection to both panels and router devices.

Learn More



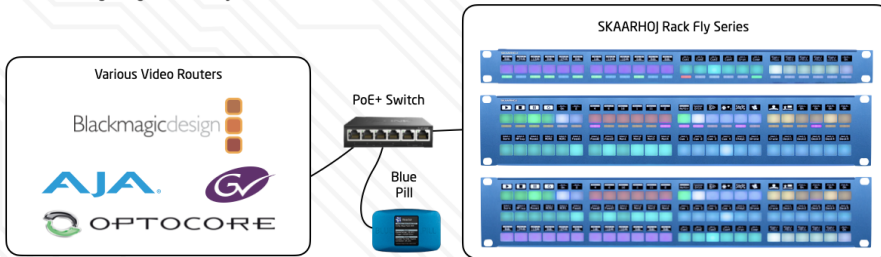
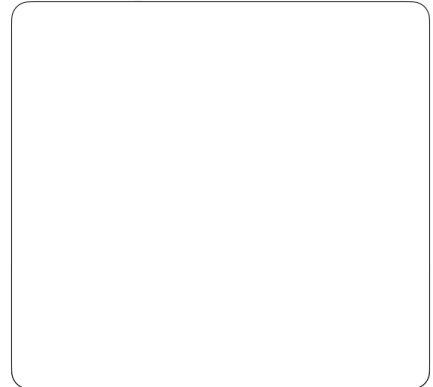
Demonstration video
Manuals, Cabling Guides, Parameter Support, Press Kit

Blue Pill and Reactor

Blue Pill is a SKAARHOJ platform that boosts the capacity and capability of SKAARHOJ UniSketch controllers. Reactor is our flagship panel management application running on Blue Pill or Blue Pill inside powered controllers.



Reseller / Notes



March 2022

Revision #6

Created 8 April 2022 12:09:41

Updated 18 June 2026 14:31:09 by Lukas Bachschwell